

Qty. Description

1 **UPS 25-55 180**



Note! Product picture may differ from actual product

Product No.: On request

The pump is of the canned rotor type, i.e. pump and motor form an integral unit without shaft seal and with only two gaskets for sealing.

The bearings are lubricated by the pumped liquid.

Speed no: The pump has 3-step speed selector.

The pump is characterized by:

- * Ceramic shaft and radial bearings.
- * Carbon axial bearing.
- * Stainless steel rotor can and bearing plate.

Impeller: * Corrosion-resistant impeller, Composite, PES/PP.

Pump housing: * Cast iron pump housing.

Phase: The motor is a 1-phase motor.

No additional motor protection is required.

Liquid:

Pumped liquid: Water

Liquid temperature range: -25 .. 110 °C

Selected liquid temperature: 60 °C

Density: 983.2 kg/m³

Technical:

TF class: 110

Approvals on nameplate: EAC

Materials:

Pump housing: Cast iron
EN-JL1030
ASTM 30 B

Impeller: Composite, PES/PP

Installation:

Amb. max at 80 dgr C liquid: 40 °C

Maximum operating pressure: 10 bar

Pipe connection: G 1 1/2

Pressure rating: PN 10

Port-to-port length: 180 mm

Electrical data:

Power input in speed 1: 65 W

Power input in speed 2: 80 W

Max. power input: 85 W

Mains frequency: 50 Hz

Rated voltage: 1 x 230 V

Current in speed 1: 0.3 A

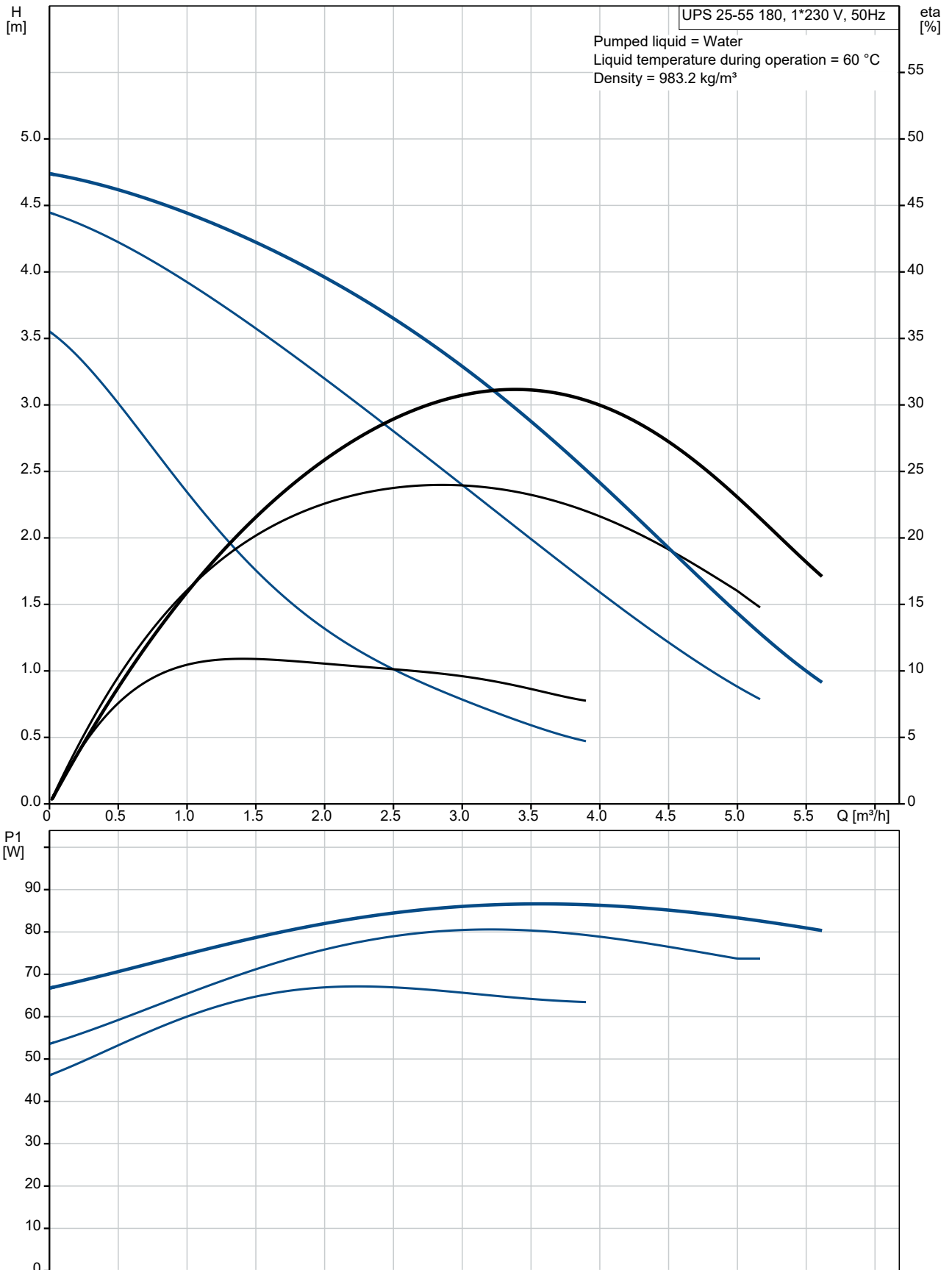
Current in speed 2: 0.36 A

Current in speed 3: 0.38 A

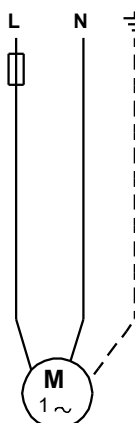
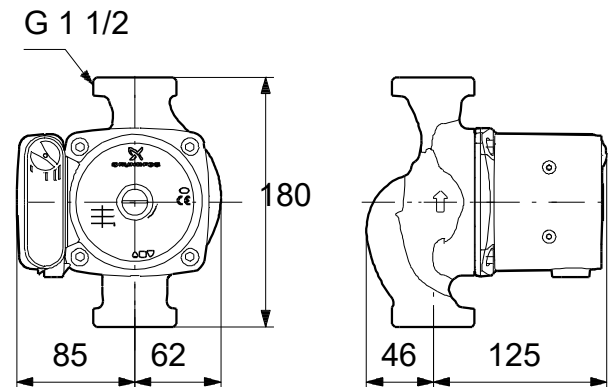
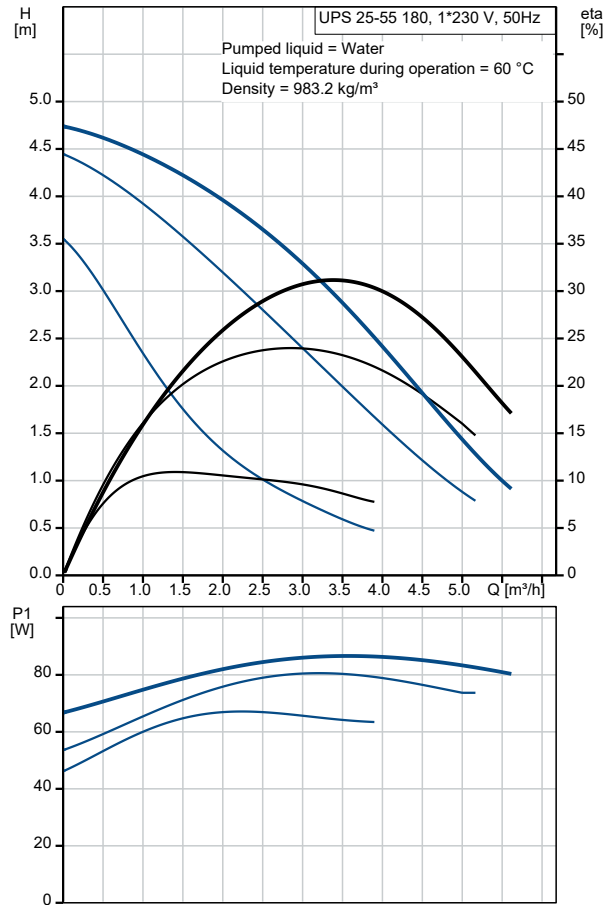
| Qty. | Description |
|------|-------------|
|------|-------------|

| | |
|--|-----------------------------------|
| | Capacitor size - run: 2.5 μ F |
| | Enclosure class (IEC 34-5): X2D |
| | Insulation class (IEC 85): F |

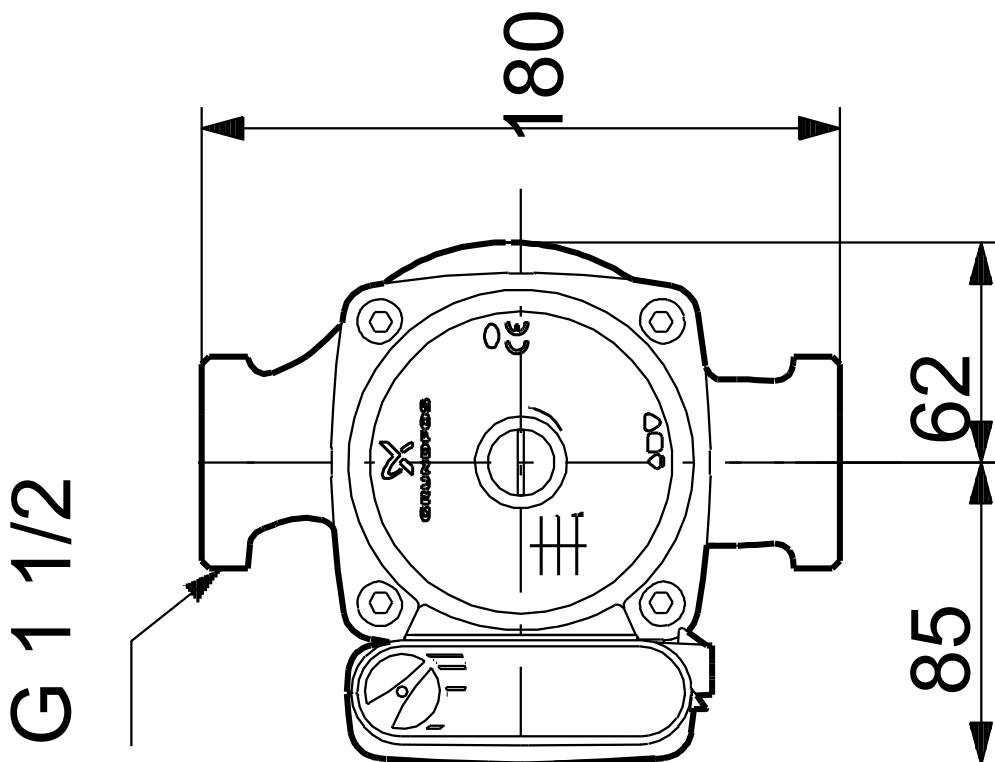
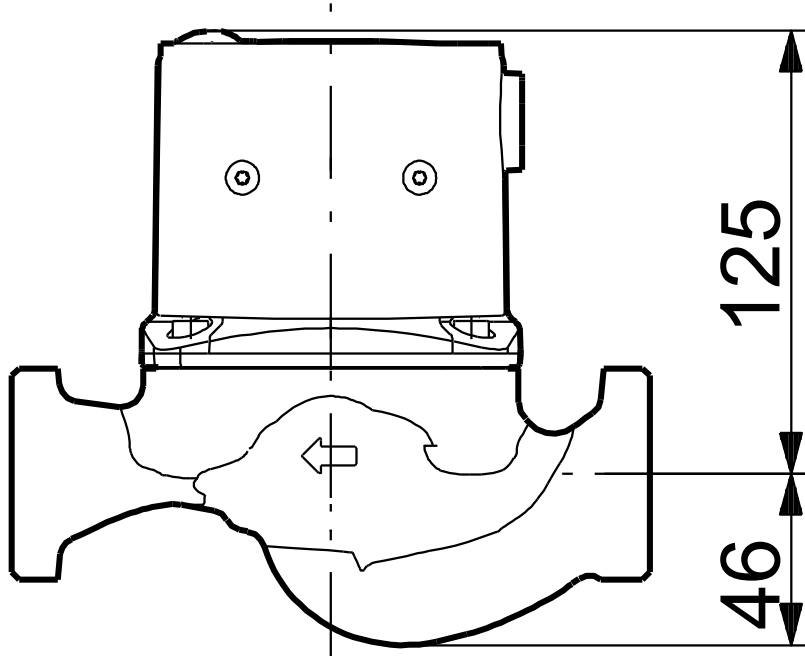
On request UPS 25-55 180 50 Hz



| Description | Value |
|------------------------------|-------------------------|
| General information: | |
| Product name: | UPS 25-55 180 |
| Product No: | On request |
| EAN number: | On request |
| Price: | |
| Technical: | |
| Speed no: | 3 |
| Head max: | 55 dm |
| TF class: | 110 |
| Approvals on nameplate: | EAC |
| Materials: | |
| Pump housing: | Cast iron |
| Pump housing: | EN-JL1030 |
| Pump housing: | ASTM 30 B |
| Impeller: | Composite, PES/PP |
| Installation: | |
| Amb. max at 80 dgr C liquid: | 40 °C |
| Maximum operating pressure: | 10 bar |
| Pipe connection: | G 1 1/2 |
| Pressure rating: | PN 10 |
| Port-to-port length: | 180 mm |
| Liquid: | |
| Pumped liquid: | Water |
| Liquid temperature range: | -25 .. 110 °C |
| Selected liquid temperature: | 60 °C |
| Density: | 983.2 kg/m ³ |
| Electrical data: | |
| Power input in speed 1: | 65 W |
| Power input in speed 2: | 80 W |
| Max. power input: | 85 W |
| Mains frequency: | 50 Hz |
| Rated voltage: | 1 x 230 V |
| Current in speed 1: | 0.3 A |
| Current in speed 2: | 0.36 A |
| Current in speed 3: | 0.38 A |
| Capacitor size - run: | 2.5 µF |
| Enclosure class (IEC 34-5): | X2D |
| Insulation class (IEC 85): | F |
| Motor protec: | CONTACT |
| Thermal protec: | internal |
| Controls: | |
| Pos term box: | 9H |

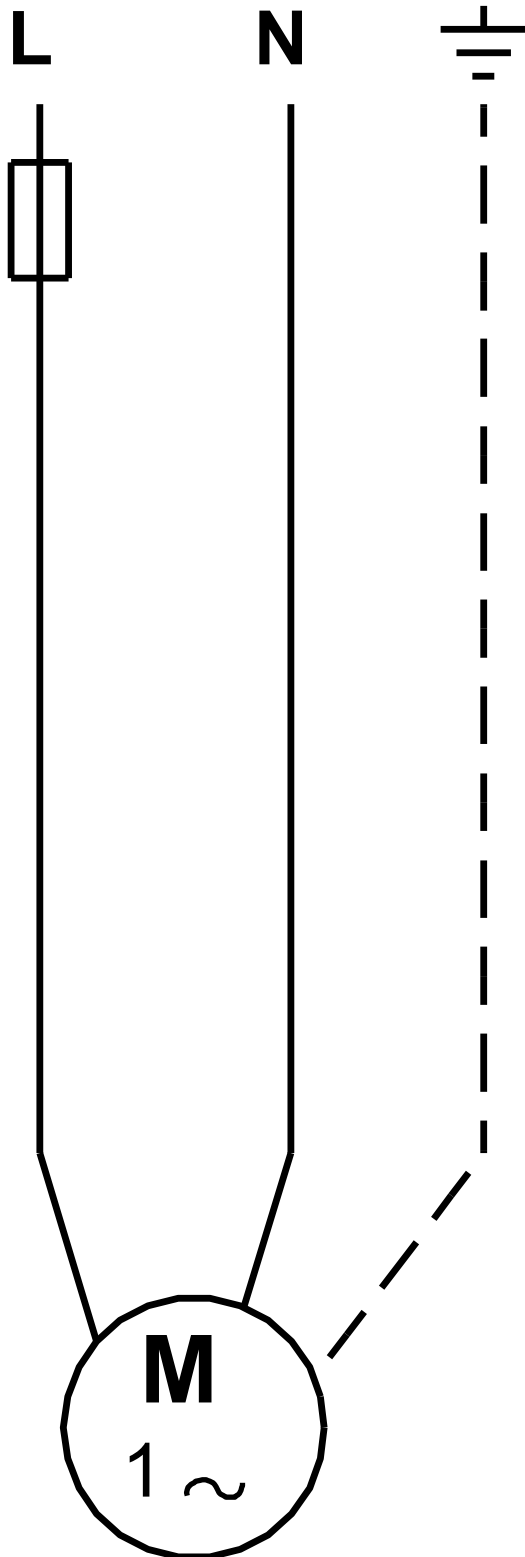


On request UPS 25-55 180 50 Hz



Note! All units are in [mm] unless others are stated.
Disclaimer: This simplified dimensional drawing does not show all details.

On request UPS 25-55 180 50 Hz



Note! All units are in [mm] unless others are stated.